

Suction Filter

HF Series

Features and Handling

- Suction Filters are made from stainless steel mesh grade 125 micron reinforced with metal mesh and engineering resin for both ends. They are suitable for a wide variety of fluid system such as hydraulic systems, lubrication systems, and cutting-oil supply systems. They can protect components in system, extend life and reduce breakdown for continuous equipment operation.
- The direction of flow on filters is from outside to inside. Filters can be cleaned by blowing compressed air or liquid through the mesh from the inside during maintenance.



Ordering Code

HF - 26 - N

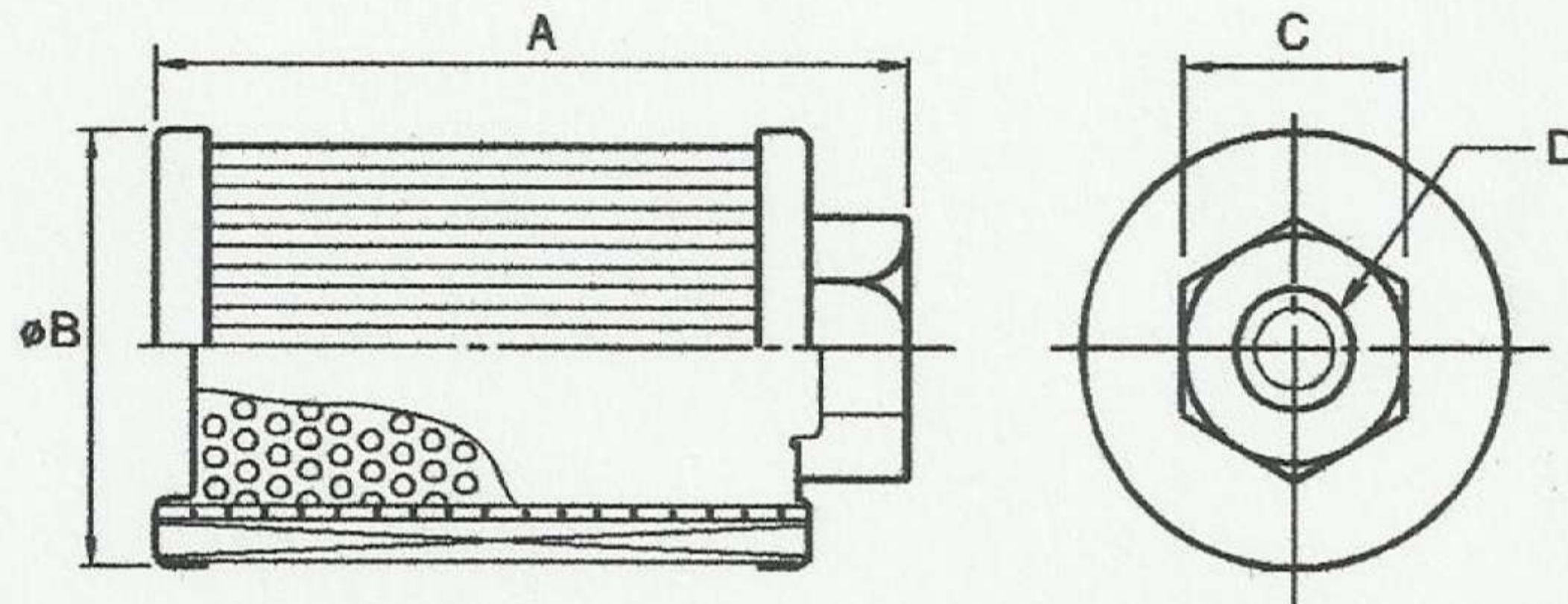
1 2 3

1 Model : HF

2 Flow (USgpm)
7, 13, 26, 53, 56, 92, 105

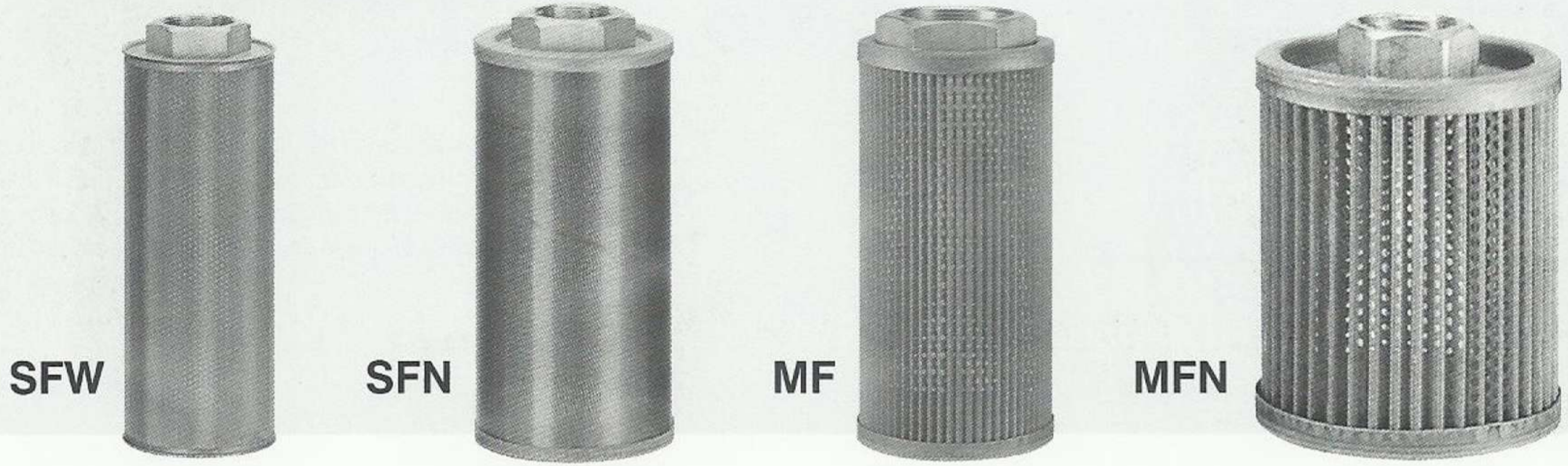
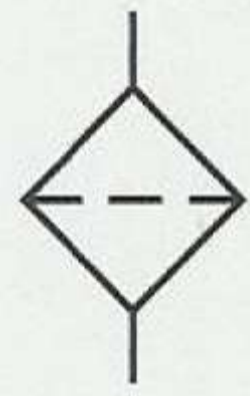
3 Threaded
no code - BSPT
N - NPT

Specification and Installation Dimensions mm (inch)



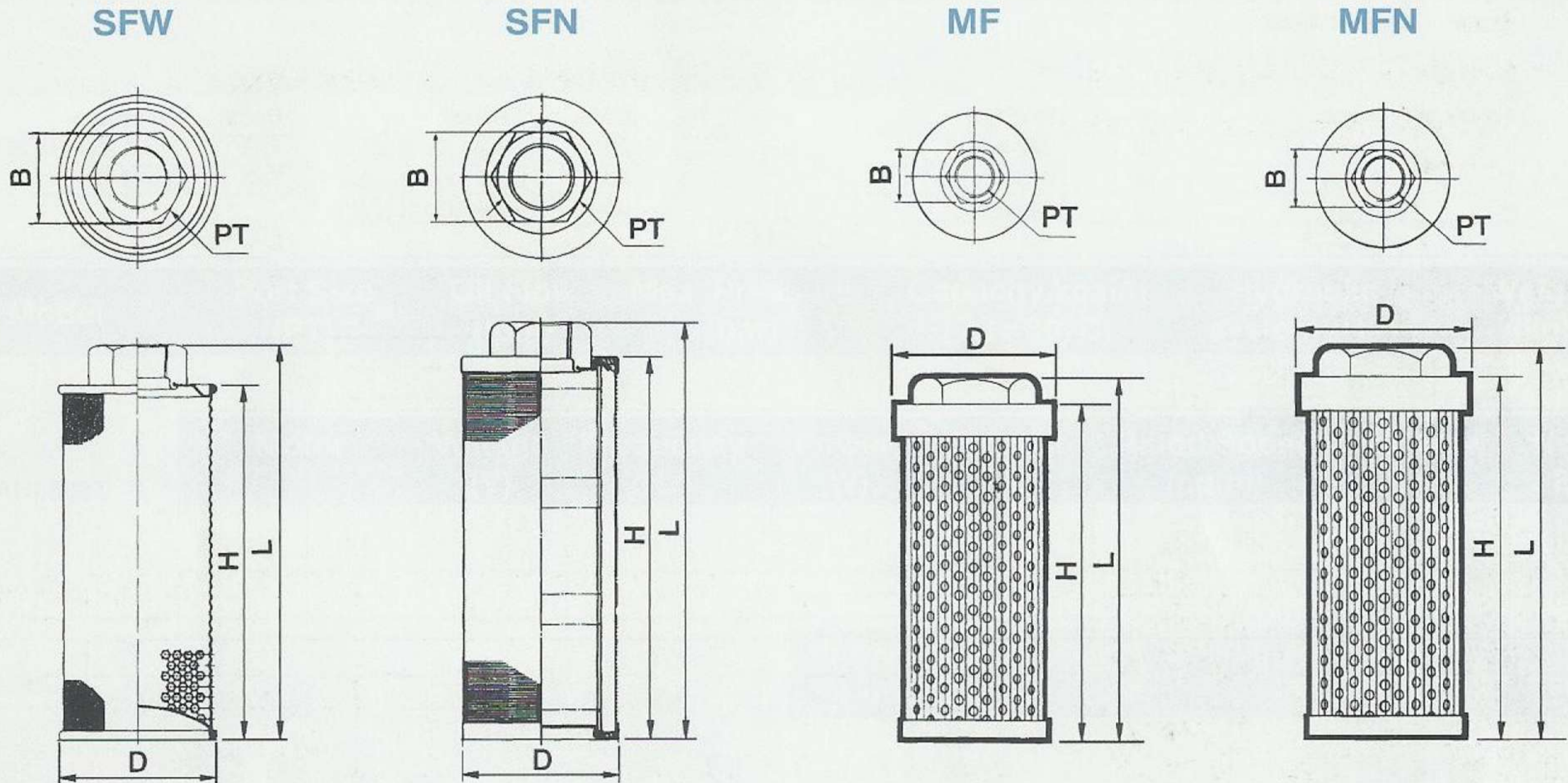
Model	Flow L/min (USgpm)	Filtration Micron	Dimensions mm (inch)				Weight kg (lb)
			A	B	C	D Thread	
HF-7	25 (7)	125	90 (3.54)	59 (2.32)	44 (1.73)	3/4"	0.10 (0.22)
HF-13	50 (13)		157 (6.18)	59 (2.32)	44 (1.73)	1"	0.16 (0.35)
HF-26	100 (26)		145 (5.71)	96 (3.78)	57 (2.24)	1-1/2"	0.40 (0.88)
HF-53	200 (53)		212 (8.35)	96 (3.78)	57 (2.24)	1-1/2"	0.50 (1.10)
HF-56	211.96 (56)		213 (8.10)	101 (4)	76 (3)	2-1/4"	0.6 (1.32)
HF-92	350 (92)		222 (8.74)	152 (5.98)	88 (3.46)	2-1/2"	1.20 (2.64)
HF-105	400 (105)		277 (10.91)	140 (5.51)	115 (4.53)	3"	1.34 (2.95)

SUCTION STRAINER



Specifications / Dimensions

Unit: mm



Model	Port (PT)	Flow (lpm)	D	L	H	B	Filtration Mesh	Weight (kg)
SFW-02	1/4	12	40	53	53	22	120	0.05
SFW-03	3/8	17	55	109	100	22		0.13
SFW-04	1/2	30	55	145	132	30		0.16
SFW-06	3/4	50	65	163	145	34		0.19
SFW-08	1	100	87	208	188	42		0.35
SFW-10	1-1/4	180	106	230	208	54		0.50
SFW-12	1-1/2	246	126	247	228	65		0.70
SFW-16	2	384	126	330	300	75		0.82
SFW-20	2-1/2	700	157	414	390	97		1.36
SFW-24	3	800	157	458	435	110		1.47
SFW-32	4	1000	208	380	357	142		2.45
SFN-04	1/2	35	64	160	153	30		150
SFN-06	3/4	46	64	166	153	34	0.28	
SFN-08	1	90	85	210	198	42	0.48	
SFN-10	1-1/4	150	103	231	215	54	0.77	
SFN-12	1-1/2	205	120	246	232	65	0.96	
SFN-16	2	320	120	332	317	75	1.27	
SFN-20	2-1/2	550	148	434	419	97	2.00	
SFN-24	3	600	148	434	419	110	2.68	

Model	Port (PT)	Flow (lpm)	D	L	H	B	Filtration Micron	Weight (kg)	
MF-03	3/8	24	58	96	90	22	100	0.10	
MF-04	1/2	32	63	95	86	28		0.10	
MF-06	3/4	56	63	130	118	34		0.15	
MF-08	1	110	63	156	144	42		0.19	
MF-10	1-1/4	210	63	172	162	50		0.24	
MF-12	1-1/2	285	80	194	179	65		0.31	
MF-16	2	395	99	210	197	75		0.44	
MF-20	2-1/2	750	148	274	252	97		1.20	
MF-24	3	800	148	274	252	110		1.21	
MF-32	4	1000	208	380	357	142		2.45	
MFN-02	1/4	25	64	90	85	22		100	0.11
MFN-03	3/8	30	64	90	85	22			0.11
MFN-04	1/2	50	64	115	103	30	0.15		
MFN-06	3/4	90	64	145	131	34	0.18		
MFN-08	1	160	85	175	162	42	0.35		
MFN-10	1-1/4	280	103	200	187	54	0.50		
MFN-12	1-1/2	420	120	205	190	65	0.80		
MFN-16	2	550	120	225	208	75	1.00		
MFN-20	2-1/2	850	148	309	292	97	1.30		
MFN-24	3	1000	148	309	292	110	1.45		
MFN-32	4	1200	208	380	357	142	2.45		